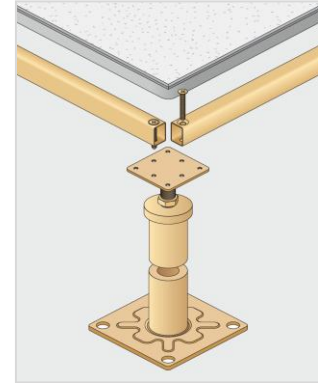


The seismic pedestal type SSP601 from galvanized steel in combination with gaskets and optionally stringer type RSL600 is used as substructure with raised access floor systems. The system floor pedestals are entirely made by Rhino, from the design to the production including galvanization.

The seismic pedestal type SSP601 creates the cavity for taking up installations. The seismic pedestal type SSP601 offers exceptional flexibility by its high loadability and the high adjustment range. The pedestals are infinitely adjustable on height and can therefore take up irregularities of the subfloor.

### Features

- Unique flexibility
- High loadability
- Easy installation
- High corrosion protection
- Zinc-whisker free
- Can be combined with stringer type RSL600, RSL1200



### TECHNICAL DETAILS

Upper pedestal part	
Head plate	76 x 76 mm
Thickness	4.0 mm
Threaded bolt	M24 screw down
Lower pedestal part	
Foot plate	150 x 150 mm
Thickness	4.0 mm
Tube (FFH 1800 - 2500 mm)	Ø 48 x 2.0 mm

### STATIC

Ultimate load centric	≥ 40 kN
-----------------------	---------

### CORROSION PROTECTION

Corrosion protection class	Galvanized & blue passivated
Salt spray fog test	72 hours

### PEDESTAL VARIANTS

FFH	Part number	Adjustment range
1800 mm	SSP601-M24-1800	1750 - 1850 mm
1900 mm	SSP601-M24-1900	1850 - 1950 mm
2000 mm	SSP601-M24-2000	1950 - 2050 mm
2100 mm	SSP601-M24-2100	2050 - 2150 mm
2200 mm	SSP601-M24-2200	2150 - 2250 mm
2300 mm	SSP601-M24-2300	2250 - 2350 mm
2400 mm	SSP601-M24-2400	2350 - 2450 mm
2500 mm	SSP601-M24-2500	2450 - 2550 mm

FFH (Finished Floor Height) = floor tile + pedestal

We reserve the right to change specification or design and supply products which may differ from those described and illustrated without notice and without liability. ©2010-2025 Rhino Technologies Co., Ltd. SSP601-M24-v2025