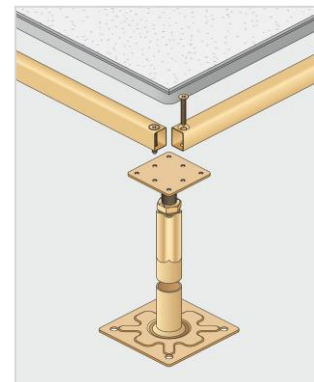


The seismic pedestal type SSP301 from galvanized steel in combination with gaskets and optionally stringer type RSL600 is used as substructure with raised access floor systems. The system floor pedestals are entirely made by Rhino, from the design to the production including galvanization.

The seismic pedestal type SSP301 creates the cavity for taking up installations. The seismic pedestal type SSP301 offers exceptional flexibility by its high loadability and the high adjustment range. The pedestals are infinitely adjustable on height and can therefore take up irregularities of the subfloor.

Features

- Unique flexibility
- High loadability
- Easy installation
- High corrosion protection
- Zinc-whisker free
- Can be combined with stringer type RSL600, RSL1200



TECHNICAL DETAILS

Upper pedestal part	
Head plate	76 x 76 mm
Thickness	3.5 mm
Threaded bolt	M19 (3/4") w/ anti-rotation tabs
Lower pedestal part	
Foot plate	120 x 120 mm
Thickness	4.0 mm
Tube (FFH 300 - 900 mm)	Ø 32 x 1.5 mm

STATIC

Ultimate load centric	≥ 30 kN
-----------------------	---------

CORROSION PROTECTION

Corrosion protection class	Galvanized & blue passivated
Salt spray fog test	72 hours

PEDESTAL VARIANTS

FFH	Part number	Adjustment range
300 mm	SSP301-M19-300	275 - 325 mm
350 mm	SSP301-M19-350	325 - 375 mm
400 mm	SSP301-M19-400	375 - 425 mm
450 mm	SSP301-M19-450	425 - 475 mm
500 mm	SSP301-M19-500	475 - 525 mm
550 mm	SSP301-M19-550	525 - 575 mm
600 mm	SSP301-M19-600	575 - 625 mm
650 mm	SSP301-M19-650	625 - 675 mm
700 mm	SSP301-M19-700	670 - 730 mm
800 mm	SSP301-M19-800	770 - 830 mm
900 mm	SSP301-M19-900	870 - 930 mm

FFH (Finished Floor Height) = floor tile + pedestal

We reserve the right to change specification or design and supply products which may differ from those described and illustrated without notice and without liability. ©2010-2025 Rhino Technologies Co., Ltd. SSP301-M19-v2025