



RhinoCross®

Low-profile Access Flooring



UX 501/502

Bare Finish Panel

RhinoCross® Unifix bare finish panel was manufactured from cold rolled steel resistance weld, light weight cement infill panels are specifically designed to accommodate 500mm x 500mm carpet tiles for general office's application. Pre-formed outlet holes saved a lot of time on cutting panels for cable outlet at site. The Unifix® design maximized system's stability and widely used in Japan market where earthquakes are frequent.

RHINO®
Strive for perfection!

Technical Data Sheet

RhinoCross® Unifix

Panel



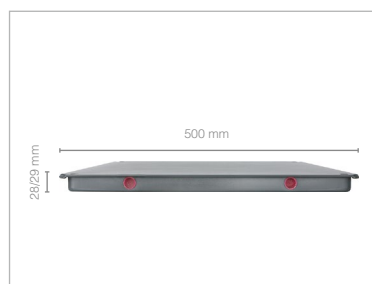
- 1 Top Steel-plate**
Thickness: Various
Material: Cold rolled steel (SPCC)
- 2 Bottom Shell**
Material: Cold rolled steel (ST14)
Construction: Classic 36-dome design
Stiffening Rib: Cross beams
- 3 Unifix**
Construction: Press-formed for Unifix® screw
- 4 Cement Injection**
Material: Light weight cement filled
Seal: Plastic

Description

RhinoCross® Unifix bare finish panel was manufactured from cold rolled steel resistance weld, light weight cement infill panels are specifically designed to accommodate 500mm x 500mm carpet tiles for general office's application. Pre-formed outlet holes saved a lot of time on cutting panels for cable outlet at site. The Unifix® design maximized system's stability and widely used in Japan market where earthquakes are frequent.

Features

- Unique Unifix® design
- 500mm small span better load bearing capacity
- Quiet, with a solid feel underfoot
- Powder-coated, protective epoxy finish

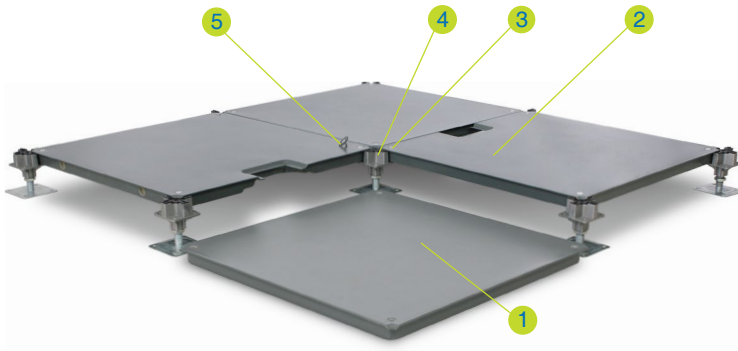


Panel Type	Panel Size	Core Material	Panel Construction	Panel Thickness (Nominal)	System Weight (Typical)
UX 501	500mm square	Light weight cement-filled	Cold rolled steel resistance welded	28.00 mm	41.05 kg/m ²
UX 502	500mm square	Light weight cement-filled	Cold rolled steel resistance welded	29.00 mm	45.05 kg/m ²

Technical Data Sheet

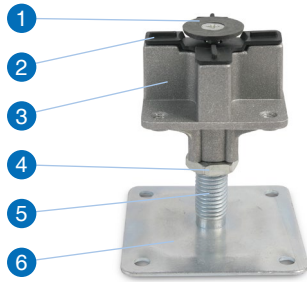
RhinoCross® Unifix

System



- 1 Floor Panel**
Steel cement infill panel with powder coat epoxy finish.
- 2 Floor Panel w/ Outlet**
Steel cement infill panel with preformed outlet powder coat epoxy finish.
- 3 Corner-locking Screws**
M6 fastener
- 4 Pedestal**
Electra-galvanized steel made bolt pedestal is suitable for raised floors with a finished floor height from 65mm to 150mm.
- 5 Unifix® Screw**
M6 fastener with rubber around

Pedestal



- 1 Unifix® Screw**
M6
- 2 Gasket**
Thickness: 2.0mm
- 3 Pedestal Head**
Aluminum Die-casted
- 4 Adjusting Nut**
M14
- 5 Base Tube**
M14 steel rod
- 6 Base Plate**
80x80x2.0mm

Performance

- This corner-locked system is tested in accordance with PSA MOB PS/SPU specification.
- Panel deflection at centre edge must not exceed 2.5mm
- Performance to a safety factor of 3 x static load
- Structural performance based upon a full Rhino access floors system i.e. panels & pedestals.



Panel Type	Panel Grade	Concentrated Load		Uniformly Distribution Load	Ultimate Load
		Point Load	Load Over		
		25mm x 25mm square	300mm x 300mm square		
UX 501	Medium Duty	3.00 kN	4.50 kN	8.00 kN/m ²	9.00 kN
UX 502	Heavy Duty	4.50 kN	5.56 kN	12.00 kN/m ²	13.50 kN

RHINO[®]

Strive for perfection!

Corporate Headquarters

111 S.K.V. Building, 4th Floor
Soi Sansabai, Klongton
Klongtoey, Bangkok 10110
Thailand

T/ (662) 661 2990

F/ (662) 661 2991

China Office

593, Tongjiang Road
Jintian Plaza 828-830
Changzhou 213022
Jiangsu, China

T/ (86) 519 8988 3171

F/ (86) 519 8988 3901

Hong Kong Office

Unit 908, 9/F, LT Tower
31 Chong Yip Street
Kwun Tong, Kowloon
Hong Kong

T/ (852) 2865 6816

F/ (852) 2865 6813

Production Unit

Hengshanqiao
Wujin District
Changzhou 213119
Jiangsu, China

T/ (86) 519 8860 7959

F/ (86) 519 8860 5659

www.RhinoAccessFloors.com